



COLUMN DRILLING MACHINES SERIE TSA-25-30

- Automatic feed – mechanical clutch
- Geared drive
- Fixed headstock and displaceable table

STANDARD EQUIPMENT

- Lighting equipment
- Main spindle/shank unit, and high quality steel gears, fully treated and grounded.
- Automatic tool ejector
- MT main spindle, with threaded nose and protection nut
- Adjustable depth stop, with scale in metric or inches
- Working table with 2 "T" slots, rotating around the column with vertical displacement by manual command
- Plate/base with "T" slots
- Selector for turning direction
- Emergency push-button
- Electrical equipment at low voltage
- Drill guard with stop micro (CE countries)

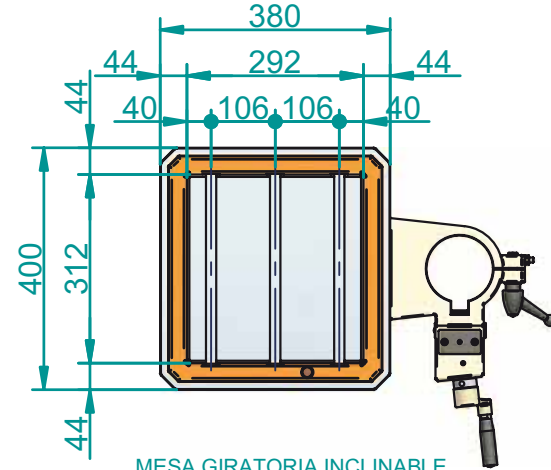
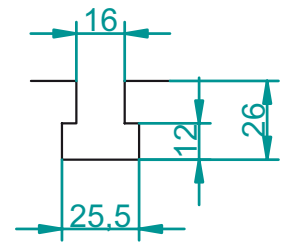
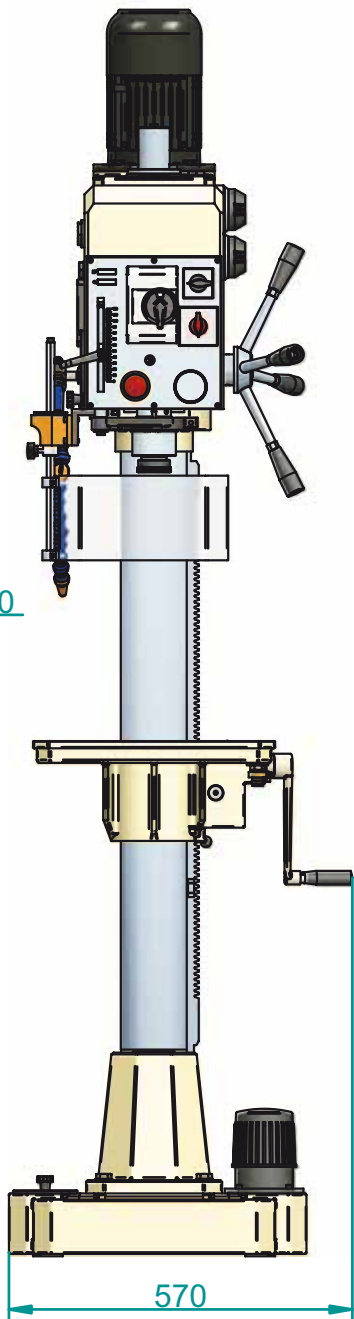
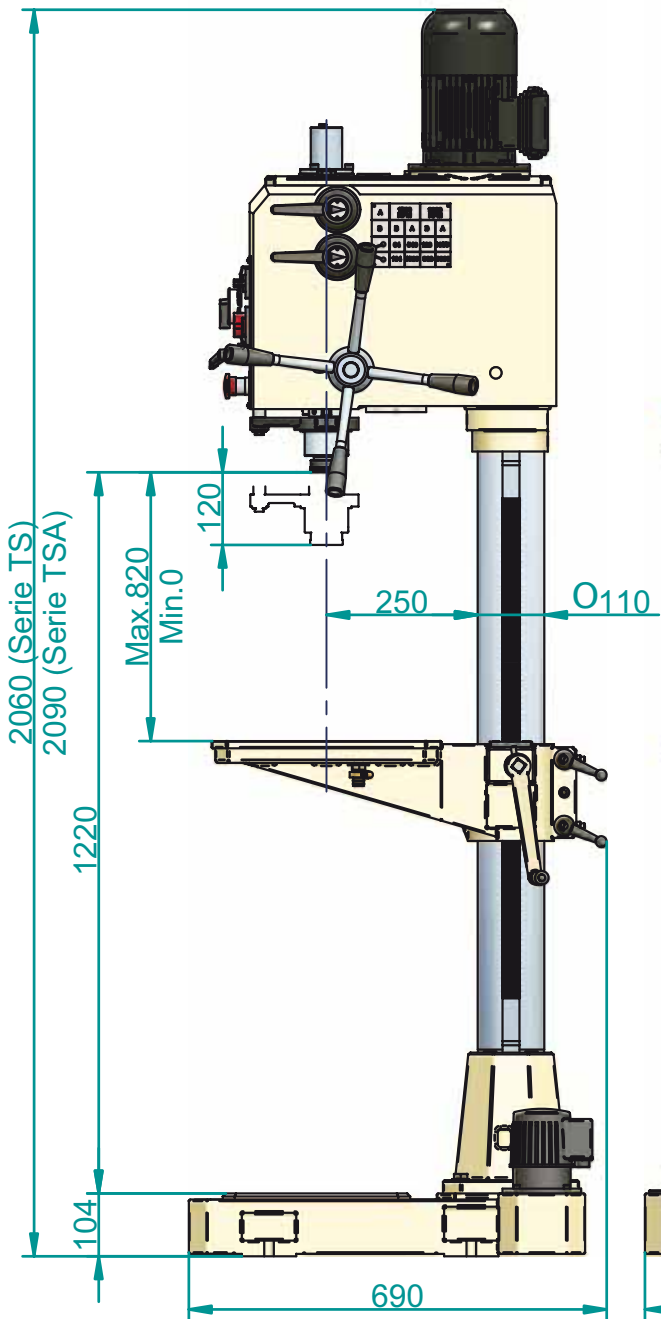
EXTRA EQUIPMENT

- Turning for tapping
- Tapping system by cycle timer
- Tapping system by lead screw with braking device
- Rotating table
- Rotating and tilting table
- Drill guard for multispindle headstock
- Multispindle headstocks
- Cross tables
- Indexing tables, mechanical, pneumatic, electric, CNC
- Vices
- 2, 3 or 4 jaws chucks
- Drill chucks
- Reduction sleeves
- Flowdrilling
- Tap holders
- Collet holders, set of collets, key, nut and box

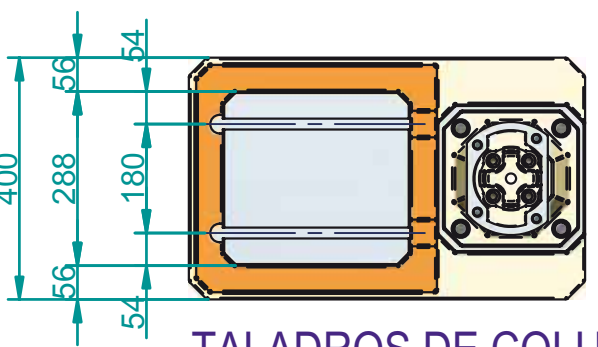
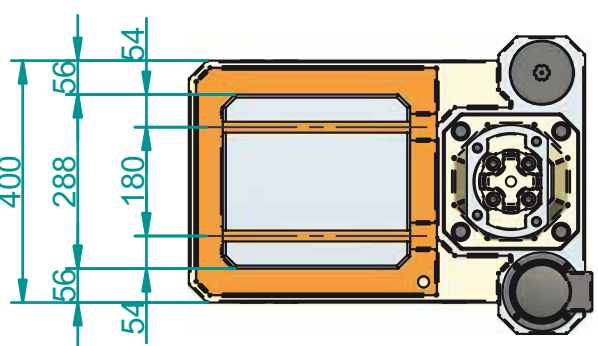
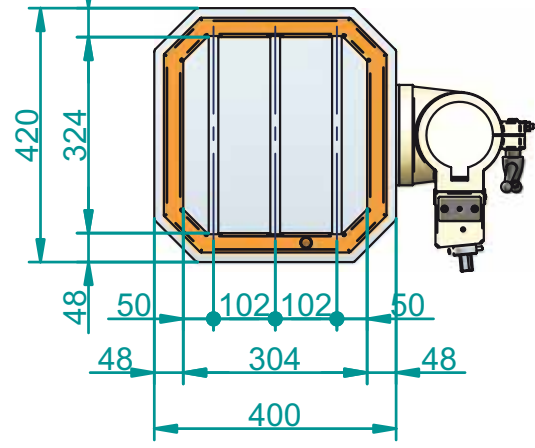


CHARACTERISTICS

MODELS	TSA.25	TSAR.25	TSA.30	TSAR.30
CODE	T1525	T2025	T1530	T2030
DRILLING CAPACITY IN STEEL OF 70 KGRS	25 mm		30 mm	
TAPPING CAPACITY IN STEEL OF 70 KGRS	M.22		M.25	
TRANSMISSION	GEARS (Hardened and grounded)			
NUMBER AND RANGE OF SPEED (rpm.) 50 Hz.	(8) 65 - 3060			
NUMBER AND RANGE OF SPEED (rpm.) 60 Hz.	(8) 78 - 3672			
FEED	AUTOMATIC			
FEED NUMBER AND RANGE	(2) 0,10 – 0,20			
CLUTCH	MECHANICAL (AUTOMATIC)			
MAIN MOTOR POWER	1,1/1,6 HP		1,5/1,9 HP	
MAIN MOTOR SPEEDS	1.500/3000 rpm			
SPINDLE MORSE TAPER	MT.3			
SPINDLE STROKE mm	120 mm			
DISTANCE SPINDLE-COLUMN mm	250 mm			
DISTANCE SPINDLE-TABLE mm	Min. 0/Max. 820 mm			
DISTANCE SPINDLE-BASE mm	1220 mm			
COLUMN DIAMETER mm	Ø 110 mm			
TABLE DIMENSIONS mm	380x400 mm			
BASE DIMENSIONS mm	400x655 mm	492x655 mm	400x655 mm	492x655 mm
TABLE WITH "T" SLOTS	YES			
ADJUSTABLE DEPTH STOP	YES			
COOLANT EQUIPMENT	NO	YES	NO	YES
TOOL EJECTOR	YES			
LIGHTING EQUIPMENT	YES			
MAIN SWITCH	NO			
EMERGENCY PUSH BUTTON	YES			
SELECTION FOR TURNING DIRECTION	YES			
ELECTRICAL EQUIPMENT AT LOW VOLTAGE	YES			
DRILL GUARD WITH STOP MICRO	YES			
CE NORMS	YES			
WEIGHT: NET / GROSS	250/310	260/320	250/310	260/320
PACKAGING DIMENSIONS AND VOLUME	800x600x2266 mm / 1,19 m ³			



MESA GIRATORIA INCLINABLE
GIRATORY AND TILTING TABLE
TABLE TOURNANTE ET INCLINABLE
DREH UND SCHWENKBARER TISCH



TALADROS DE COLUMNA
SERIE TSA-25-30

